

# auto electrical parts

## Technical Information Sheet

### Part No. 0-668-12

LED locker lamp, 12/24 volt, 48 bright white LED's, integral on/off switch, surface mounting, low current draw 0.3amp at 12 volt dc, white plastic housing. CE approved.

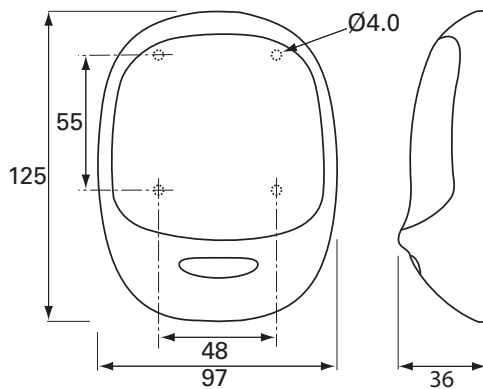
#### Additional information

Red wire 12v +ve  
Black wire -ve ground

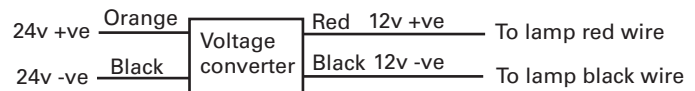
For 24v application, connect the voltage converter (included with product). Orange wire 24v +ve.



#### Technical Drawing (not to scale)



#### Wiring Diagram



#### Specification

|               |                              |
|---------------|------------------------------|
| Type          | LED locker lamp              |
| Voltage       | 12/24 volt dc                |
| Current (12v) | 0.29 amp                     |
| LED           | 48 white                     |
| Illumination  | 290 lux at 30cm, 384 Lumen's |
| Housing       | Plastic                      |
| Lens          | Plastic                      |
| Weight        | 40g                          |
| Dimensions    | see diagram                  |
| Compliance    | CE, RoHS                     |

The information contained in this document is correct to the best of our knowledge at the time of printing. However, specifications may change at any time without notice.